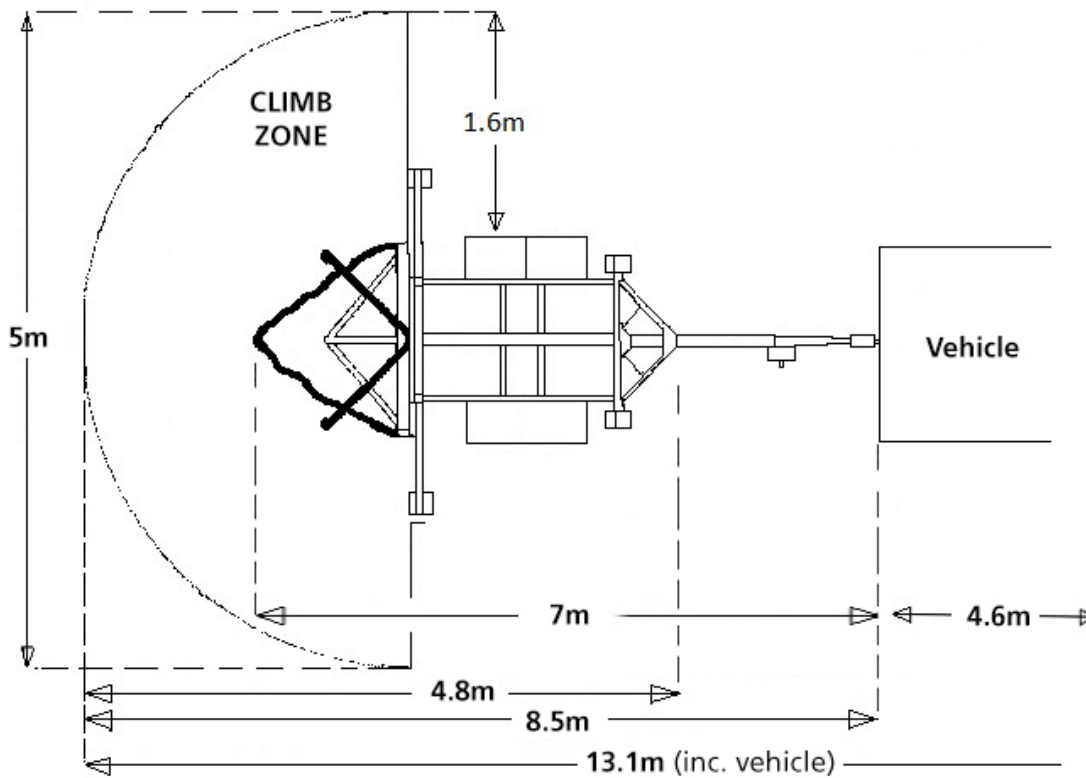


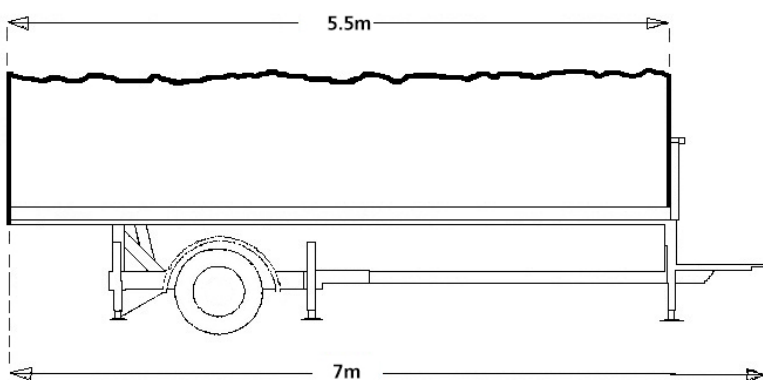
2-Person Climbing Wall

Size Specifications 1.2

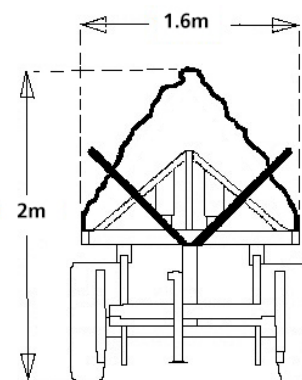
WALL UPRIGHT BIRDS-EYE VIEW:



WALL DOWN / SIDE VIEW:



WALL DOWN / END VIEW:



WEIGHT INFORMATION:

TRAILER - 1.0 Tonnes
VEHICLE - 1.5 Tonnes

