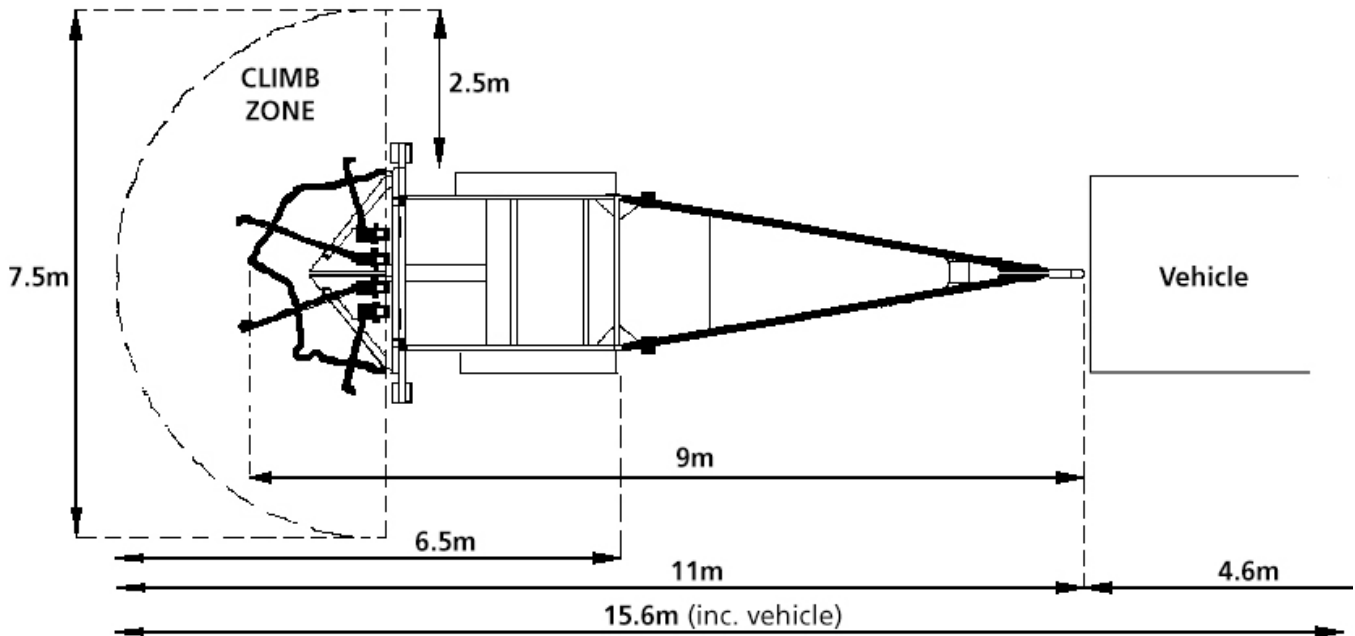


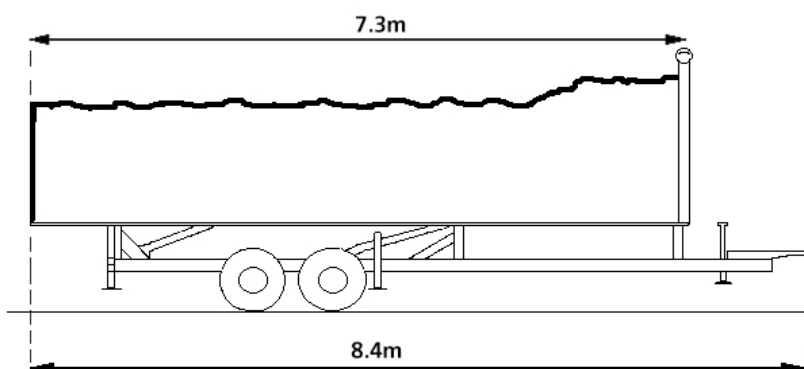
# 4-Person Climbing Wall

## Size Specifications

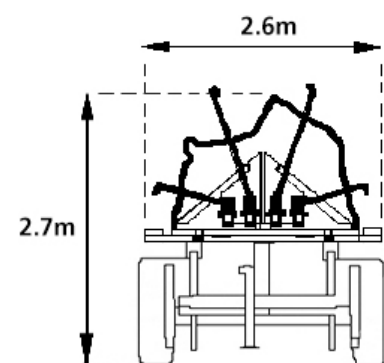
### WALL UPRIGHT BIRDS-EYE VIEW:



### WALL DOWN / SIDE VIEW:



### WALL DOWN / END VIEW:



### WEIGHT INFORMATION:

**TRAILER - 2.4 Tonnes**  
**VEHICLE - 1.5 Tonnes**

